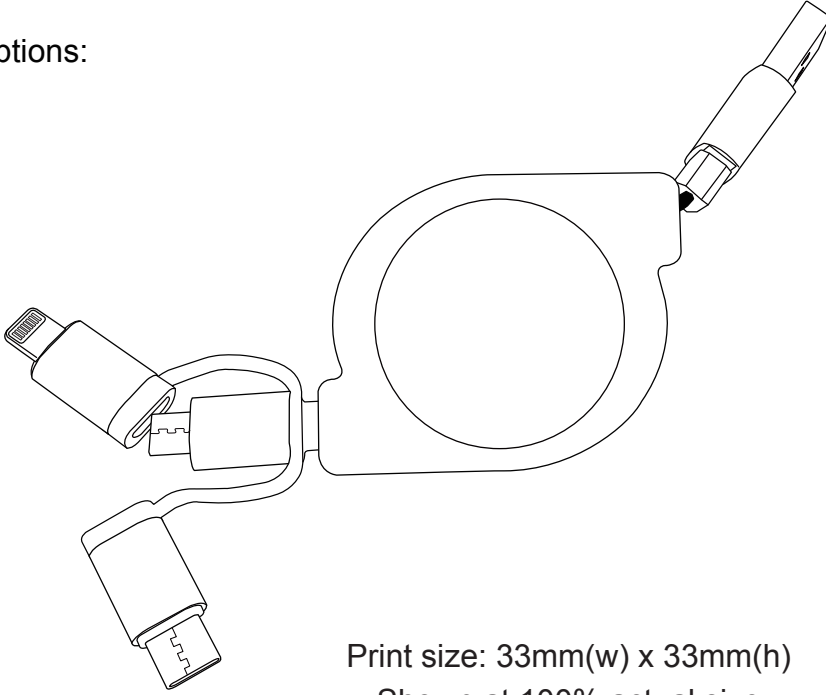


Product: PCBA80
Product Size: 48 x 40 x 17 mm (housing), 100mm(cable length)

Decoration Options:

side1



Print size: 33mm(w) x 33mm(h)
Shown at 100% actual size

side2

